

## **CO<sub>2</sub> supersaturation and net heterotrophy in a tropical estuary (Cochin, India): Influence of Anthropogenic effect**

**G.V.M. Gupta<sup>1\*</sup>, Shoji D. Thottathil<sup>2</sup>, K.K. Balachandran<sup>2</sup>,  
N.V. Madhu<sup>2</sup>, P. Madeswaran<sup>4</sup> and Shanta Nair<sup>3</sup>**

<sup>1</sup> *ICMAM Project Directorate, Ministry of Earth Sciences, NIOT Campus,  
Pallikaranai, Chennai 600100, India*

<sup>2</sup> *National Institute of Oceanography, Regional Centre, Dr.Salim Ali Road,  
Cochin 682018, India.*

<sup>3</sup> *National Institute of Oceanography, Dona Paula, Goa 403004, India*

<sup>4</sup> *Ministry of Earth Sciences, Mahasagar Bhavan, Block-12, CGO Complex,  
Lodhi Road, New Delhi 110003, India*

\* Corresponding Author, Present Address: *Centre for Marine Living Resources and Ecology,  
Ministry of Earth Sciences, Kendriya Bhavan, Kakkanad, Cochin 682 037*  
Email:; [gvmgupta@gmail.com](mailto:gvmgupta@gmail.com), [gvmgupta@yahoo.com](mailto:gvmgupta@yahoo.com)

Short title: Carbon dynamics in tropical estuary

---

GVMG – Conceived the study, performed research, analyzed data and wrote the paper.

SDT – Designed experiments and collected data on bacterial and community respiration, data processed and contributed in writing the paper.

KKB – Conceived the study, data collected in the field and analyzed, and contributed in writing the paper.

NVM – Designed experiments and collected data on primary production and community respiration.

PM – Designed scheme and analyzed data.

SN – Conceived the study, analyzed data and contributed in writing the paper.

## ABSTRACT

Carbon biogeochemistry of a tropical ecosystem (Cochin estuary, India) undergoing increased human intervention was studied during February (premonsoon), April (early monsoon) and September (monsoon) 2005. Cochin estuary sustains high levels of  $p\text{CO}_2$  (up to  $6000 \mu\text{atm}$ ) and  $\text{CO}_2$  effluxes (up to  $274 \text{ mmolC m}^{-2} \text{ d}^{-1}$ ) especially during monsoon. A first-order estimate on the carbon mass balance shows that net production of dissolved inorganic carbon is an order of magnitude higher than the net loss of dissolved and particulate organic carbon from the estuary. This imbalance is attributed to the organic inputs to the estuary through anthropogenic supplies. The bacteria-mediated mineralization of organic matter is mainly responsible for the build-up of  $p\text{CO}_2$  and increased  $\text{CO}_2$  emission to the atmosphere indicating heterotrophy. The linear correlation between excess  $\text{CO}_2$  and apparent oxygen utilization indicates respiration as the chief mechanism for  $\text{CO}_2$  supersaturation. An increase in the net negative ecosystem production (-ve NEP) between premonsoon ( $-136 \text{ mmolC m}^{-2} \text{ d}^{-1}$  or  $-376 \text{ MgC d}^{-1}$ ) and monsoon ( $-541 \text{ mmolC m}^{-2} \text{ d}^{-1}$  or  $-1500 \text{ MgC d}^{-1}$ ) is supported by a corresponding increase in  $\text{O}_2$  influxes from  $17 \text{ mmol O}_2 \text{ m}^{-2} \text{ d}^{-1}$  ( $126 \text{ MgC d}^{-1}$ ) to  $-128 \text{ mmol O}_2 \text{ m}^{-2} \text{ d}^{-1}$  ( $-946 \text{ MgC d}^{-1}$ ) and  $\text{CO}_2$  emissions from  $65 \text{ mmolC m}^{-2} \text{ d}^{-1}$  ( $180 \text{ MgC d}^{-1}$ ) to  $267 \text{ mmolC m}^{-2} \text{ d}^{-1}$  ( $740 \text{ MgC d}^{-1}$ ). There is significant north-south gradient in metabolic rates and  $\text{CO}_2$  fluxes attributable to the varying flow patterns and anthropogenic inputs into the estuary. The study reveals that the Cochin estuary, a previously autotrophic ( $\text{CO}_2$  sink) system, has transformed to a heterotrophic ( $\text{CO}_2$  source) system following rapid urbanization and industrialization. Moreover, the export fluxes from the Cochin estuary appears to be quite important in sustaining net heterotrophy in the southeastern Arabian Sea.

**Key words:** Cochin estuary; seasonality; organic carbon; anthropogenic inputs; respiration; heterotrophy;  $\text{CO}_2$  supersaturation.

## INTRODUCTION

Increased emissions of greenhouse gases, in particular of CO<sub>2</sub>, and changes in solar irradiance are the main agents of climate change in the latter half of the 20<sup>th</sup> century (IPCC 2001). A significant fraction of CO<sub>2</sub> emission is from coastal and marine regions including wetlands and river-estuarine systems (Cole and others 2000, 2007; Cole and Caraco 2001; Bouillon and others 2003, 2007; Borges and others 2008; Gupta and others 2008). Hence, studies on these systems are gaining due importance based on their potentials to emit greenhouse gases to the atmosphere. An estimate shows that globally, the CO<sub>2</sub> emissions from estuaries are 0.43 Pg C yr<sup>-1</sup> (Borges and others 2005) and that from lakes are 0.14 Pg C yr<sup>-1</sup> (Cole and others 1994). These coastal systems, when supplemented with excess organic matter, can serve as sources of CO<sub>2</sub> and become net heterotrophic (Smith and Hollibaugh 1993; Gattuso and others 1998; Chen and others 2003). There is a growing evidence that estuaries receiving large anthropogenic wastes are found to sustain high rates of respiration over production and produce excess CO<sub>2</sub> (Frankignoulle and others 1998; Taylor and others 2003; Cai and others 2004; Borges and others 2008). Conversely, estuaries that receive insignificant anthropogenic inputs are also found to exhibit heterotrophy and sustain high levels of biogenic gas production (Raymond and others 2000), due largely to the mineralization of river driven organic matter (Cole and others 2000; Cole and Caraco 2001). This behavior is potentially seen in some Indian estuaries which mineralize up to 90% of terrestrial organic loads during high-flow conditions (Pradeep Ram and others 2007; Gupta and others 2008). In all these situations, the bacterial community, varying widely in response to the quality and quantity of dissolved organic matter (Kirchman and others 2004), controls the degree of mineralization of organic matter.

While the importance of estuaries as potential sources of CO<sub>2</sub> is obvious (Raymond and others 2000; Taylor and others 2003; Cai and others 2004; Borges and others 2005; Bouillon and others 2007), there are only a very few studies from Indian estuaries (Sarma and others 2001; Mukhopadhyay and others 2002; Bouillon and others 2003; Biswas and others 2004; Gupta and others 2008) to document this behaviour. Cochin estuary, an eutrophic estuary along southwest coast of India, was reported to be a site of positive net ecosystem production (Qasim and others 1969), in view of high nutrient loadings and phytoplankton biomass (Qasim 2003; Jyothibabu and others 2006; Madhu and others 2007). However, recent findings on bacterioplankton metabolic capabilities (Thottathil and others 2008a) suggest that microbial activity is very important in this estuary. Hence, the present study in the Cochin estuary was undertaken to examine its (i) trophic status, (ii) degree of

CO<sub>2</sub> saturation among seasons, (iii) inter-system variability in CO<sub>2</sub> concentration, and (iv) relative influence of anthropogenic inputs on the CO<sub>2</sub> fluxes.

## **MATERIALS AND METHODS**

### **Site Description**

The Cochin estuary (CE), a micro tidal estuary ( $\leq 1.0$  m) situated on the southwest coast of India (Fig.1), is connected to the Arabian Sea through two inlets at Cochin and Azhikode, the former is being wider (450 m) than the latter (250 m). It is the second largest estuarine system in India, fed by six rivers discharging about  $2 \times 10^{10} \text{ m}^3 \text{ y}^{-1}$  of fresh water (Srinivas and others 2003a,b), of which  $>60\%$  occurs in summer monsoon (June-September), 10-25% in winter monsoon (November-December) and balance during the rest of the year. It has a surface area of  $231 \text{ km}^2$  (calculated from satellite image) and has a volume of  $0.55 \text{ km}^3$  (Gopalan and others 1983). The sediment flux from catchments is about  $32 \times 10^6 \text{ tons y}^{-1}$  (Thomson 2002), and the consequent siltation has caused shrinkage of the estuarine area considerably. The estuary is generally wide (0.8-1.5 km) and deep (4-13 m) towards south, but narrow (0.05-0.5 km) and shallow (0.5-2.5 m) towards north. Due to the peculiar topography, the circulation patterns in the northern and southern arms of the CE are found to be distinctly different; the northern arm frequently develops flow-restrictions due to converging tides entering from two adjacent inlets (Balachandran and others 2008), while southern arm experiences tidal amplification. Stratification is restricted to the lower estuary during monsoon, which slowly transforms into partially mixed and fully mixed conditions, and propagate upstream during post and premonsoon seasons, respectively. From December-March, the two hydraulic barriers situated respectively at Thannermukkam (43 km south of Cochin inlet) and Pathalam (28 km north of Cochin inlet), prevent salinity intrusion further upstream.

The human intervention in the CE started since 1836, but has accelerated during the last five decades. There has been significant change in the hydrological cycle following massive deforestation, construction of numerous dams across the rivers, engineering modifications in the estuary and extensive reclamation of wetland (Balachandran and others 2008). From an originally mangrove forest, this wetland has been subjected to changes in its functions and land use patterns following exacerbated human settlements ( $10^7$ , DES 2001). Rapid industrialization and urbanization in the last few decades resulted in discharge of about  $1.04 \times 10^5 \text{ m}^3 \text{ d}^{-1}$  of effluents and  $260 \text{ m}^3 \text{ d}^{-1}$  of

sewage into the CE (Qasim 2003; Balachandran and others 2005). Besides, wastes from aquaculture fields (62 km<sup>2</sup>) and agricultural fields (80 km<sup>2</sup>), have increased the organic pollution in the estuary (Thomson 2002). Brackish waters of the CE are used as coconut husk retting yards by coir manufacturing industries. An all-weather natural port is located in the lower estuary (near Cochin inlet), where the navigation and cargo handling (1225 vessels, 13.9 x 10<sup>6</sup> tons during 2005-06) is facilitated by an annual maintenance dredging of 10 x 10<sup>6</sup> m<sup>3</sup> ([www.cochinport.com](http://www.cochinport.com)).

## Sampling and Analysis

Seasonal observations were carried out in the CE during February, April and September 2005 from 56 stations, at 2 km intervals (Fig.1). 11 stations in the estuary and 2 stations in the river Periyar were selected for *in situ* measurement of metabolic rates. The observation periods can be generally classified into three seasons based on climatology: February (low flow period) is considered as premonsoon and September (high flow period) as peak summer monsoon. April (moderate flow), although is a late premonsoon, due to unusual heavy rains that occurred continuously for two weeks prior to our sampling reflected conditions similar to the onset of monsoon period, and hence, is considered as early monsoon. Water samples collected from 0.5 m depth using 5 L Hydrobios sampler were kept cool in ice-boxes, transported to the laboratory and analyzed within 2-3 h for various parameters. Water temperature was recorded using a thermometer ( $\pm 0.1^\circ\text{C}$  precision). Salinity was determined using a Salinometer (DIGI AUTO 3G, Tsurumi Seiki, Japan, accuracy  $\pm 0.001$ ). Light transparency measured using Secchi disc was represented as photic depth. Dissolved oxygen (O<sub>2</sub>) was measured following Winkler's method (Grasshoff and others 1999) using a Multi-Dosimat (645 Hydrobios, Kiel) and its solubility was computed following Garcia and Gordon (1992). For the estimation of suspended particulate matter (SPM), known volume of water was filtered through pre-weighed 0.45  $\mu\text{m}$  membrane filter, oven dried at 60°C for 12 h and the difference of initial and final weight was taken. The filtrate was used for the estimation of nutrients (Grasshoff and others 1999) using Spectrophotometer (1650 Shimadzu). Acetone extracts of particulate matter retained on a GF/F filter pad were used for spectrophotometric determination of Chlorophyll *a* (Chl *a*) (Parsons and others 1984).

Samples for dissolved organic carbon (DOC) and particulate organic carbon (POC) were collected in 100 ml glass bottles (precombusted at 450°C for 4 h) and kept in ice. In the laboratory, known volume of samples were filtered through 25 mm Whatman GF/F filters (precombusted at 450°C for 4 h), oven dried at 60°C for 12 h and stored at -20°C. The filtrates were acidified to pH 3-

4 using 1% Phosphoric acid and stored in precombusted 10 ml air-tight glass tubes at  $\sim 10^{\circ}\text{C}$  till analysis. DOC in these samples was estimated following high temperature catalytic oxidation method using TOC analyzer (Shimadzu TOC-V<sub>CPH</sub>). The accuracy of DOC measurements, when checked with Certified Reference Material supplied by Dr.D.Hansell, University of Miami, USA (Batch 5 FS) and internal standards prepared using potassium hydrogen phthalate (1 and 5 mg l<sup>-1</sup>), was within  $\pm 1\%$ . POC in the filters (decarbonated by HCl fumes) were analysed using an Elemental Analyser (Thermo Finningan, Flash EA1112) with L-Cystine as standard and the precision of analysis checked against NIST 1941b was found to be within  $\pm 0.1\%$ .

Samples for pH and dissolved inorganic carbon (DIC) were collected in 100 ml glass bottles, poisoned with 100  $\mu\text{l}$  of saturated mercuric chloride and sealed to air-tight. pH was measured using a ROSS combination glass electrode (ORION 8102U) and pH meter (ORION 555A) after calibrating against NBS buffers (Frankignoulle and Borges 2001). Analytical precision for pH of freshwater samples was  $\pm 0.008$  and for other samples it was  $\pm 0.005$ . The measured values on NBS scale were first converted to in situ pH and then to total scale. DIC was measured using a Coulometer (UIC Inc., USA; Model CM 140-02). The accuracy of measurements tested using the Certified Reference Material (Batch No.67 supplied by Dr.A.G.Dickson of Scripps Institution of Oceanography, USA) and internal standards (100 to 1000  $\mu\text{mol kg}^{-1}$  sodium carbonate) were found to be within 1.5-2.0%, and accordingly, corrections were made to the data. Total alkalinity (TA) and pCO<sub>2</sub> were computed from pH and DIC couple using the carbonic acid dissociation constants for the entire estuarine salinity range (Cai and Wang 1998) with a precision of 9-13  $\mu\text{atm}$  for pCO<sub>2</sub> using CO<sub>2</sub>SYS.XLS (version 14) program developed by Pelletier and others (2007). The CO<sub>2</sub> fluxes across the air-water interface were computed according to:

$$F = k \cdot (\text{CO}_2_{\text{water}} - \text{CO}_2_{\text{sat}}) \quad (1)$$

where  $F$  is the air-water CO<sub>2</sub> flux ( $\text{mmol m}^{-2} \text{d}^{-1}$ ),  $k$  is the gas transfer velocity of CO<sub>2</sub> ( $\text{m d}^{-1}$ ),  $\text{CO}_2_{\text{water}}$  is the concentration of CO<sub>2</sub> in the water and  $\text{CO}_2_{\text{sat}}$  is the concentration the water would have were it in equilibrium with the air. For computing the atmospheric concentration of CO<sub>2</sub>, the pCO<sub>2</sub> data for dry air obtained from a nearest station in India (Cape Rama, 15.08°N; 73.83°E) corresponding to the periods of study (GLOBALVIEW-CO<sub>2</sub> 2007), were used after correcting for water vapor (Weiss and Price 1980). Accordingly, the atmospheric pCO<sub>2</sub> in wet air was computed to be 377.1, 377.3 and 378.3  $\mu\text{atm}$  respectively, for February, April and September.  $k$  was computed as

a function of wind speed, water current and water column depth according to Borges and others (2004):

$$k_{600} = 0.24 + 0.4126 w^{0.5} h^{-0.5} + 0.619 u_{10} \quad (2)$$

where  $k_{600}$  is the gas transfer velocity of  $\text{CO}_2$  normalised to a Schmidt number (Sc) of 600 in  $\text{m d}^{-1}$ ,  $w$  is the water current ( $\text{cm s}^{-1}$ ),  $h$  is the water column depth (m) and  $u_{10}$  is the wind speed ( $\text{m s}^{-1}$ ). The computed  $k_{600}$  values were converted to *in situ* conditions, assuming that gas transfer velocity is proportional to  $\text{Sc}^{-0.5}$ . Sc was computed for a given salinity (Wanninkhof 1992), assuming that Sc varies linearly with salinity. Wind speed data was collected from a hand held anemometer (Lutron, AM4201). Water currents were extracted from 2D hydrodynamic model developed for this estuary (Balachandran and others 2008).

Air-water fluxes of  $\text{O}_2$  were computed using the equation:

$$F = k \times \Delta\text{O}_2 \quad (3)$$

where  $k$  is the gas transfer velocity of  $\text{O}_2$  ( $\text{m d}^{-1}$ ) and  $\Delta\text{O}_2$  is the difference between measured  $\text{O}_2$  and its solubility.

Net Primary Production (NPP) was measured by *in situ*  $^{14}\text{C}$  assimilation method (UNESCO 1994). Surface waters filled in Nalgene bottles (two light and one dark) were inoculated with labeled  $\text{NaH}^{14}\text{CO}_3$  (activity  $5\mu\text{Ci mL}^{-1}$ ; BARC, Mumbai) and incubated at *in situ* conditions for 12 h (06:00-18:00 h) during the day. On retrieval, samples were immediately passed through Whatman GF/F filter paper under gentle suction. The filters, after exposing to concentrated hydrochloric acid fumes for a minute, were preserved in scintillation vials until analysis. Later, these filters were treated with 5 ml scintillation cocktail in dioxane and the radioactivity was measured using a liquid scintillation counter (Wallac 1409 DSA, Perkin Elmer, USA). NPP rates were calculated based on a 12 h photo-period and expressed as  $\text{mgC m}^{-3} \text{d}^{-1}$ . Parallely, water samples in dark BOD bottles (in triplicate) were incubated at *in situ* depth for 24 h. The difference in  $\text{O}_2$  concentrations measured before and after incubations was considered as community respiration (autotrophs + heterotrophs) (R). Similarly, bacterial respiration (BR) was estimated by subjecting the samples to sequential size fractionation (3.0 and 0.8  $\mu\text{m}$ ) followed by *in situ* incubation for 24 h (Biddanda and Cotner 2002). This method, however, may lead to some errors due to rupture of cells and removal of bacteria attached to larger particles ( $>0.8 \mu\text{m}$ ). But prior to adopting this method, we checked the bacterial

counts in filtered and unfiltered waters and found that they are not significantly different, thereby ruling out the possibility of bacteria loss during filtration. From all these incubations, the oxygen consumed were converted to carbon respired assuming a respiratory quotient of one.

The trophic status of a system is defined either based on CO<sub>2</sub> fluxes, O<sub>2</sub> fluxes or as the ratio of gross primary production (GPP) to R, where GPP = net ecosystem production (NEP) during day light + R. NEP is an integrated ecosystem rate, whereas NPP determined in this study is close to the net production by phytoplankton only, thereby NEP = NPP – respiration by heterotrophs (BR). Using this approach, GPP is calculated as, GPP = NPP – BR + R.

## RESULTS

Based on the differences in hydrology and input characteristics, the study area has been categorized to two regions viz. north and south estuary with respect to Cochin inlet (Fig.1). Water temperature across the estuary was generally uniform and varied between 26.5 and 35.2°C. The moderately warm estuary during premonsoon ( $31.2 \pm 1.1^\circ\text{C}$ ) became warmer during early monsoon ( $33.1 \pm 0.8^\circ\text{C}$ ) and cooler during monsoon ( $29.5 \pm 1.3^\circ\text{C}$ ). The river discharge (personal communication from Central Water Commission, India) was negligible during premonsoon ( $142 \text{ m}^3 \text{ s}^{-1}$ ), which increased marginally during early monsoon ( $205 \text{ m}^3 \text{ s}^{-1}$ ) and reached maximum during monsoon ( $1346 \text{ m}^3 \text{ s}^{-1}$ ). The seasonal salinity fluctuation (Table 1) was in accordance to the river discharge. With a fairly high saline conditions in premonsoon ( $17.5 \pm 6.3$ ), the rainfall during early monsoon lowered it by  $4.4 \pm 6.6$  in the north estuary and by  $1.4 \pm 3.2$  in the south estuary, indicating the hydrological difference between them. Similar to salinity, pH was also marginally high during premonsoon ( $7.436 \pm 0.505$ ) and early monsoon ( $7.226 \pm 0.543$ ) but decreased substantially during monsoon ( $6.629 \pm 0.400$ ). O<sub>2</sub> concentrations were saturated during premonsoon which decreased to  $87 \pm 28\%$  during early monsoon and to  $85 \pm 10\%$  during monsoon (Table 1), the undersaturation being intense in the north estuary. Seasonality in O<sub>2</sub> fluxes followed very closely to its concentrations i.e. increased from premonsoon ( $17 \text{ mmolO}_2 \text{ m}^{-2} \text{ d}^{-1}$ ) to early monsoon ( $-64 \text{ mmolO}_2 \text{ m}^{-2} \text{ d}^{-1}$ ) and to monsoon ( $-128 \text{ mmolO}_2 \text{ m}^{-2} \text{ d}^{-1}$ ). SPM generally increased with salinity, but the waters gradually became clear between premonsoon ( $31 \pm 11 \text{ mg l}^{-1}$ ) and monsoon ( $17 \pm 9 \text{ mg l}^{-1}$ ). Despite a drop in SPM between the seasons, the photic depth represented 19-23% of water column depth. Nutrients were in general, very high (Table 1) and behaved non-conservatively with salinity. Ammonia was the dominant form (50-65%) of dissolved inorganic nitrogen.



DIC, DOC and POC concentrations in the rivers draining into the CE are much lower than those of Indian rivers (Table 2). The DIC levels measured in the lower estuary (1901-2028  $\mu\text{mol kg}^{-1}$ ) are comparable with the values reported for the shelf waters of Arabian Sea ( $\sim 1950 \mu\text{mol kg}^{-1}$ , Sarma and others 1998). DOC and POC are high in the mesohaline region (salinity 10-20) compared to other regions of the CE. In general, DIC, DOC and POC concentrations decreased from premonsoon to monsoon. Chl *a* was about 3 fold higher in early monsoon ( $16.1 \pm 9.9 \mu\text{g l}^{-1}$ ) compared to premonsoon ( $6.2 \pm 6.0 \mu\text{g l}^{-1}$ ) and monsoon ( $5.2 \pm 3.8 \mu\text{g l}^{-1}$ ) with maximum values in the mesohaline regions.

$\text{CO}_2$  is found to be highly supersaturated (up to 19 times) with respect to its concentration in the atmosphere during all the seasons. With a 2 fold rise from premonsoon to monsoon (Table 1), the  $\text{pCO}_2$  levels generally decrease with increase in salinity in the north during premonsoon and early monsoon. It is consistently low ( $<1500 \mu\text{atm}$ ) in the south, but show high values (2000-6000  $\mu\text{atm}$ ) in the mesohaline region. During monsoon, it is very high towards the upstream and decrease exponentially along the salinity gradient.

The maximum NPP observed during premonsoon ( $104 \pm 45 \text{ mgC m}^{-3} \text{ d}^{-1}$ ) and early monsoon ( $109 \pm 59 \text{ mgC m}^{-3} \text{ d}^{-1}$ ) is reduced considerably during monsoon ( $27 \pm 30 \text{ mgC m}^{-3} \text{ d}^{-1}$ ). Similarly, GPP also decreased between premonsoon ( $145 \pm 72 \text{ mgC m}^{-3} \text{ d}^{-1}$ ) and monsoon ( $90 \pm 58 \text{ mgC m}^{-3} \text{ d}^{-1}$ ). Community respiration (R), corrected for nitrification (Miranda and others 2008) is  $160 \pm 92$ ,  $215 \pm 52$  and  $198 \pm 138 \text{ mgC m}^{-3} \text{ d}^{-1}$  during premonsoon, early monsoon and monsoon, respectively. Bacterial respiration (BR) contributed 64 ( $\pm 23$ ) %, 81 ( $\pm 17$ ) % and 61 ( $\pm 22$ ) % of R during premonsoon, early monsoon and monsoon, respectively. All metabolic rates were generally high in the south estuary compared to north estuary (Table 2) and increased seaward (Fig.2).

## DISCUSSION

The persistently high levels of  $\text{CO}_2$  (Table 1) indicate that the CE is net heterotrophic irrespective of seasons. A rise in  $\text{CO}_2$  supersaturation between premonsoon and monsoon corresponds to a 2 fold rise in the excess  $\text{CO}_2$  ( $\text{ECO}_2$ ) levels ( $\text{DIC}_{in\ situ} - \text{DIC}_{theoretical}$  at atmospheric equilibrium, refer Gupta and others 2008 for details) from  $7.3 \pm 6.4\%$  in premonsoon to  $10.1 \pm 8.3\%$  in early monsoon and further to  $22.6 \pm 15.0\%$  in monsoon. Similarly,  $\text{CO}_2$  flux also showed a 4 fold increase between premonsoon ( $65 \pm 80 \text{ mmolC m}^{-2} \text{ d}^{-1}$ ) and monsoon ( $267 \pm 131 \text{ mmolC m}^{-2} \text{ d}^{-1}$ ), which are higher than those observed in other estuaries of India: 11 and 67  $\text{mmolC m}^{-2} \text{ d}^{-1}$  for the

Mandovi estuary (Sarma and others 2001),  $21.9 \pm 26.1 \text{ mmolC m}^{-2} \text{ d}^{-1}$  for the Godavari estuary (Bouillon and others 2003), 1.2 and  $3.0 \text{ mmolC m}^{-2} \text{ d}^{-1}$  for the Sundarban mangrove estuarine system (Biswas and others 2004) and 9.8 and  $141.4 \text{ mmolC m}^{-2} \text{ d}^{-1}$  for the Chilka Lake (Gupta and others 2008). A comparison with temperate estuaries shows that these fluxes are higher than reported for the Tana estuary ( $58 \pm 45 \text{ mmolC m}^{-2} \text{ d}^{-1}$ ; Bouillon and others 2007), but are comparable with the Loire estuary ( $30\text{-}280 \text{ mmolC m}^{-2} \text{ d}^{-1}$ ; Abril and others 2003) and the Scheldt estuary ( $200\text{-}1200 \text{ mmolC m}^{-2} \text{ d}^{-1}$ ; Frankignoulle and others 1998). This clearly shows that the CE is unique among Indian estuaries in terms of  $\text{CO}_2$  fluxes, as it resembles polluted estuaries elsewhere.

The major processes that regulate the production and consumption of  $\text{CO}_2$  in the CE are net ecosystem metabolism and carbonate precipitation. A first-order budgets on total carbon have been constructed to explain the net ecosystem metabolism of the CE. For this, the estuary is considered as a single box at steady-state conditions with negligible precipitation/evaporation and an export volume equivalent to the total river discharge. Although, the above assumptions have limitations, they do not significantly alter the conclusions drawn from the observations. Net ecosystem production (NEP) is estimated as difference between total carbon exported (to sea and atmosphere) and imported (from rivers). It is clear from Fig. 3 that although the organic carbon inputs from rivers are almost equal to their export fluxes during pre monsoon and early monsoon, they are fairly high during monsoon. The NEP always remained negative indicating heterotrophy, which increased from premonsoon ( $-136 \text{ mmolC m}^{-2} \text{ d}^{-2}$  or  $-376 \text{ MgC d}^{-1}$ ) to early monsoon ( $-250 \text{ mmolC m}^{-2} \text{ d}^{-2}$  or  $-693 \text{ MgC d}^{-1}$ ) and monsoon ( $-541 \text{ mmolC m}^{-2} \text{ d}^{-1}$  or  $-1500 \text{ MgC d}^{-1}$ ). This corresponds to a rise in  $\text{O}_2$  flux from  $17 \text{ mmol O}_2 \text{ m}^{-2} \text{ d}^{-1}$  ( $126 \text{ Mg O}_2 \text{ d}^{-1}$ ) in premonsoon to  $-128 \text{ mmol O}_2 \text{ m}^{-2} \text{ d}^{-1}$  ( $-946 \text{ Mg O}_2 \text{ d}^{-1}$ ) in monsoon and supported a rise in  $\text{CO}_2$  emission from  $65 \text{ mmolC m}^{-2} \text{ d}^{-1}$  ( $180 \text{ MgC d}^{-1}$ ) to  $267 \text{ mmolC m}^{-2} \text{ d}^{-1}$  ( $740 \text{ MgC d}^{-1}$ ) between the seasons. The estimated NEP for the CE during monsoon is  $\sim 1.7$  times higher than that reported for the Chilka Lake (Gupta and others 2008) and  $>10$  times higher than that of the Scheldt estuary (Gazeua and others 2005; Borges and others 2008).  $\text{ECO}_2$  fluxes from rivers contributed only 4.7% of total  $\text{CO}_2$  emissions during premonsoon and 27.8% during monsoon, suggesting that rivers play a minor role in the estuarine  $\text{CO}_2$  effluxes (Borges and others 2006; Gupta and others 2008). The carbon budgets show that there are major unquantified sources of organic carbon in the CE. For example, during premonsoon (Fig. 3a), the net production of DIC (outflow+degas-inflow) is  $384 \text{ MgC d}^{-1}$ , the net loss of organic carbon is only  $8.0 \text{ MgC d}^{-1}$ . This suggests that the net production of DIC ( $-ve$  NEP) is caused by organic inputs that are not estimated. Further, there is a progressive increase in the net production of DIC during early monsoon ( $-693 \text{ MgC d}^{-1}$ ) and monsoon ( $-1500 \text{ MgC d}^{-1}$ ). This unquantified organic carbon, which is 7-11

times higher than river inputs, appears to be due to anthropogenic inputs. This is supported by our finding that lateral inputs contributed to high DOC and POC concentrations in the mesohaline regions of the CE (Thottathil and others 2008b). Indiscriminate release of industrial, urban, agricultural and aquaculture wastes are contributing to organic enrichment in the estuary (Vijayan and others 1976; Qasim 2003). The coconut retting yards (Verma and others 2002) are found to release high amount of DOC ( $>1000 \mu\text{mol kg}^{-1}$ ) into the southern estuary during premonsoon. The port activities also contribute significantly to organic carbon production. Nitrification rates in the CE are very low (Miranda and others 2008) and hence does not contribute significantly to organic production. Thus, the respiration of these anthropogenic organic carbon sources are mainly responsible for the  $\text{CO}_2$  supersaturation leading to heterotrophy in the CE. Exceedingly high pelagic respiration over production (Table 1, Fig.2), especially during early monsoon and monsoon support this. Further, the high bacterial respiration in the CE ( $68 \pm 23\%$  of community respiration) is sustained by high organic carbon concentrations (Fig.4) leading to  $\text{O}_2$  depletion and  $\text{CO}_2$  supersaturation. The significant correlation between  $\text{ECO}_2$  and apparent oxygen utilization (Fig.5) also supports respiration to be the major cause for  $\text{CO}_2$  supersaturation in the CE. But it is expected that large fraction of  $\text{CO}_2$  production is from bottom compartment relative to photic compartment (19-23% of water column). Experiments conducted at station N3 in the north estuary (Fig.1) during monsoon showed a benthic respiration of  $1378 \text{ mgC m}^{-2} \text{ d}^{-1}$  (M.V.M.Wafar, personal communication). This is equivalent to a benthic flux of  $6088 \text{ mgC m}^{-3} \text{ d}^{-1}$ , which is almost 30 times higher than corresponding pelagic respiration rate (Fig.2c) and suggests the strong influence of benthic processes on  $\text{CO}_2$  production. Although benthic respiration rates are known for their high degree of spatial and seasonal variations, the regions around port and northern arm of the CE, where sediments rich in organic carbon (3-5%) and clay (60-90%) resuspend largely, are expected to have high potential relative to other regions. High respiration rates observed at stations N4, S1, S2 and S3 (Fig.2) also supports to the strength of this process in the lower estuary where turbidity is maximum. Therefore, the integrated effects of *in situ* processes are chiefly responsible for  $\text{CO}_2$  supersaturation, which is supported by the good agreement between seasonality in  $\text{CO}_2$  effluxes and  $\text{O}_2$  influxes with GPP/R ratios (Fig.6).

The budgets shows that about 50% of the carbon mineralized in the estuary is ventilated to atmosphere as  $\text{CO}_2$ , while the balance is exported to sea as DIC (Fig.3). This is in contrast to the Chilka Lake, where 90% of river-born organic carbon is siphoned out as  $\text{CO}_2$  to atmosphere (Gupta and others 2008). The export fluxes of organic carbon to Arabian Sea during monsoon (Fig.5c) are significant as this together with upwelling fuels to the prevalence of hypoxic conditions in the coastal

waters (Sarma and others 1998; Naqvi and others 2000; Sarma and others 2003) and may influence the CO<sub>2</sub> dynamics of this region.

Consistently low levels of pH, DIC and TA along with very high pCO<sub>2</sub> in the south estuary could be due to carbonate precipitation. Previous studies have shown that this region has potentials for shell deposition (Gopalan and others 1983; Arun 2005). The O<sub>2</sub> undersaturation (70-90%) in this region is due to high community respiration (150 - 290 mgC m<sup>-3</sup>d<sup>-1</sup>), which indicate that CaCO<sub>3</sub> precipitation is tightly coupled with aerobic respiration. It is however, difficult to separately quantify CO<sub>2</sub> production or consumption due to CaCO<sub>3</sub> precipitation, photosynthesis and respiration, as these are concurrent processes (Frankignoulle and others 1994).

Apart from the seasonal changes, the observed inter-system variations in the metabolic rates (Fig.2) and CO<sub>2</sub> fluxes (Table 1) can be attributed to the different basin properties and the complex topography of the estuary. Fresh water fraction in the north is lower than south estuary due to varying influence of river inputs and tidal propagation (Balachandran and others 2008). The land use pattern is also different, as the south estuary is influenced by agriculture, aquaculture and port activities, whereas numerous industries are concentrated in the north estuary. Thus, the varying quantities of wastes and their bio-availability are chiefly responsible for inter-system gradients.

It is now obvious that anthropogenic inputs are responsible for the net heterotrophy and CO<sub>2</sub> emissions from the CE. An interesting question here is, what was the behavior of the CE before human impacts started widespread? Qasim and others (1969) from their study during August 1965 – July 1966 in the lower reaches of the CE observed depth integrated GPP ( $767 \pm 304$  mgC m<sup>-2</sup> d<sup>-1</sup>) to be 3 fold higher than the respiration ( $261 \pm 154$  mgC m<sup>-2</sup> d<sup>-1</sup>). They also reported high GPP/R ratios during monsoon (4.0-5.7) and low ratios during premonsoon (2.1-2.8), indicating the system was net autotrophic. The decadal changes suggest that increased human interference has transformed the CE to a highly heterotrophic (CO<sub>2</sub> source) from what was previously an autotrophic system. This change has probably induced shifts in the food chain with a consequent alteration in the tertiary fauna. An example for this can be observed in the abundance of an opportunistic fish ‘Tilapia’ (*Oryochromus mosambicus*) in the CE replacing an endemic and popular species such as ‘Peal spot’ (*Etroplus suratensis*) (Qasim 2003).

## **CONCLUSIONS**

The present study observing a net heterotrophy points to the growing stress in the Cochin estuary due to organic enrichment caused by diverse human activities. From the constructed total carbon budgets, the anthropogenic organic carbon fluxes are found to exceed the riverine fluxes, and their mineralization is mainly responsible for the increased heterotrophic activity and CO<sub>2</sub> supersaturation in the estuary. Consistently high bacterial respiration indicates rapid turnover of this organic matter supporting a dominant microbial loop in this ecosystem. Benthic respiration appears to contribute strongly to CO<sub>2</sub> supersaturation over pelagic respiration and define the intensity of net ecosystem metabolism. Inter-system gradients are pronounced between north and south estuary due to the different flow regimes and varying quality and quantity of organic inputs from human activities. Cochin estuary was found to be a sink for CO<sub>2</sub> four decades ago but, the widespread human impacts have transformed it to a potential source of CO<sub>2</sub>. An increase in the export fluxes of carbon is significant because southeastern Arabian Sea sustains negative NEP. Future studies should therefore, focus on quantification of the organic loadings from various sources, their composition and bioavailability in the estuary and, export fluxes to ascertain their degree of impact on net ecosystem metabolism and food web dynamics of southeastern Arabian Sea.

## **ACKNOWLEDGEMENTS**

We thank Secretary, MoES and Directors, ICMAM-PD and NIO for their keen interest and support for the study. Thanks are also due to Dr.A.G. Dickson and Dr.D. Hansell for providing CRM for DIC and DOC, respectively. We also thank each team member for rendering great help in the field and laboratory. We appreciate the critical evaluation and comments by Dr.V.V.S.S.Sarma, Dr.Achuthankutty and Dr.M.V.M.Wafar, NIO to improve the manuscript. Critical suggestions by two anonymous reviewers and subject-matter comments by Dr.Jonathan Cole have substantially improved the clarity of the manuscript. This study forms a part of MoES funded project “Ecosystem Modeling of Cochin backwaters” carried out jointly by ICMAM-PD and NIO, Regional Centre, Cochin.

## REFERENCES

- Abril G, Etcheber H, Delille B, Frankignoulle M, Borges AV. 2003. Carbonate dissolution in the turbid and eutrophic Loire estuary. *Mar Ecol Prog Ser* 259: 129-138.
- Arun AU. 2005. Impact of artificial structures on biodiversity of estuaries: a case study from Cochin estuary with emphasis on clam beds. *Appl Ecol Environ Res* 4(1): 99-110.
- Balachandran KK, Laluraj CM, Nair M, Joseph T, Sheeba P, Venugopal P. 2005. Heavy metal Accumulation in a flow restricted, tropical estuary. *Estuar Coast Shelf Sci* 65: 361-370.
- Balachandran, KK, Reddy, GS, Revichandran C, Srinivas K, Vijayan PR, Thottam TJ. 2008. Modelling of tidal hydrodynamics for a tropical ecosystem with implications for pollutant dispersion (Cochin Estuary, South India). *Ocean Dynamics* 58: 76-88 DOI:10.1007/s10236-008-0153-6.
- Biddanda BA, Cotner JB. 2002. Love handles in aquatic ecosystems: Role of dissolved organic drawdown, resuspended sediments and terrigenous inputs in carbon balance of Lake Michigan. *Ecosystems* 5: 431-445.
- Biswas H, Mukhopadhyay SK, De TK, Sen S, Jana TK. 2004. Biogenic controls on the air-water carbon dioxide exchange in the Sundarban mangrove environment, northeast coast of Bay of Bengal, India. *Limnol Oceanogr* 49: 95-101.
- Borges AV, Delille B, Schiettecatte L-S, Gazeau F, Abril G, Frankignoulle M. 2004. Gas transfer velocities of CO<sub>2</sub> in three European estuaries (Randers Fjord, Scheldt and Thames). *Limnol Oceanogr* 49(5): 1630-1641.
- Borges AV, Delille B, Frankignoulle M. 2005. Budgeting sinks and sources of CO<sub>2</sub> in the coastal ocean: Diversity of ecosystems counts. *Geophys Res Lett* 32: L14601, doi:10.1029/2005GL023053.
- Borges AV, Schiettecatte L-S, Abril G, Delille B, Gazeau F. 2006. Carbon dioxide in European coastal waters. *Estuar Coast Shelf Sci* 70(3): 375-387.
- Borges AV, Ruddick K, Schiettecatte L.-S, Delille B. 2008. Net ecosystem production and carbon dioxide fluxes in the Scheldt estuarine plume. *BMC Ecol* 8:15, doi:10.1186/1472-6785-8-15.
- Bouillon S, Frankignoulle M, Dehairs F, Velimirov B, Eiler A, Abril G, Etcheber H, Borges AV. 2003. Inorganic and organic carbon biogeochemistry in the Gautami Godavari estuary (Andhra Pradesh, India) during pre-monsoon: The local impact of extensive mangrove forests. *Global Biogeochem Cycles* 17(4): 1114, doi:10.1029/2002GB002026.
- Bouillon S, Dehairs F, Schiettecatte L-R, Borges AV. 2007. Biogeochemistry of the Tana estuary and delta (northern Kenya). *Limnol Oceanogr*, 52: 45-59.
- Cai W-J, Wang Y. 1998. The chemistry, fluxes, and sources of carbon dioxide in the estuarine waters of the Satilla and Altamaha rivers, Georgia. *Limnol Oceanogr* 43: 657-668.

- Cai WJ, Dai M, Wang Y, Zhai W, Huang T, Chen S, Zhang F, Chen Z, Wang Z. 2004. The biogeochemistry of inorganic carbon and nutrients in the Pearl River estuary and the adjacent Northern South China Sea. *Cont Shelf Res* 24: 1301-1319.
- Chen CTA, Liu KK, Macdonald R. 2003. Continental margin exchanges. Fasham MJR, editor. *Ocean biogeochemistry*. New York: Springer-Verlag New York. p53–97.
- Cole JJ, Caraco NF, Kling GW, Kratz TK. 1994. Carbon dioxide supersaturation in the surface waters of lakes. *Science* 265:1568-1570.
- Cole JJ, Pace ML, Carpenter SR, Kitchell JF. 2000. Persistence of net heterotrophy in lakes during nutrient additions and food web manipulations. *Limnol Oceanogr* 45: 1718-1730.
- Cole JJ, Caraco NF (2001) Carbon in catchments: connecting terrestrial carbon losses with aquatic metabolism. *Mar Freshwater Res* 52:101-110.
- Cole JJ, Prairie YT, Caraco NF, McDowell WH, Tranvik LJ, Striegl RG, Duarte CM, Kortelainen P, Downing JA, Middelburg JJ, Melack J (2007) Plumbing the global carbon cycle: integrating inland waters into the terrestrial carbon budget. *Ecosystems* 10: 171-184.
- Department of Economics and Statistics 2001. Planning for 2001. Government of Kerala, Thiruvananthapuram, India, 546 pp.
- Frankignoulle M, Canon C, Gattuso J-P. 1994. Marine calcification as a source of carbon dioxide: Positive feedback of increasing atmospheric CO<sub>2</sub>. *Limnol Oceanogr* 39(2): 458-462.
- Frankignoulle M, Abril G, Borges AV, Bourge I, Canon C, Delille B, Libert E, Théate J-M. 1998. Carbon dioxide emissions from European estuaries. *Science* 282: 434- 436.
- Frankignoulle M, Borges AV. 2001. Direct and indirect pCO<sub>2</sub> measurements in a wide range of pCO<sub>2</sub> and salinity values (the Scheldt estuary). *Aquatic Geochem* 7: 267-273.
- Garcia EH, Gordon LI. 1992. Oxygen solubility in seawater: Better fitting equations. *Limnol Oceanogr* 37: 1307-1312.
- Gattuso J-P, Frankignoulle M, Wollast R. 1998. Carbon and carbonate metabolism in coastal aquatic ecosystems. *Ann Rev Ecol System* 29: 405-434.
- Gazeau F, Gattuso J-P, Middelburg JJ, Brion N, Schiettecatte L-S, Frankignoulle M, Borges AV. 2005. Planktonic and whole system metabolism in a nutrient-rich estuary (the Scheldt estuary). *Estuaries* 28(6): 868-883.
- GLOBALVIEW-CO<sub>2</sub> (2007). Cooperative Atmospheric Data Integration Project - Carbon Dioxide. CD-ROM, NOAA ESRL, Boulder, Colorado. (Also available on Internet via anonymous FTP to <ftp.cmdl.noaa.gov>, Path: ccg/co2/GLOBALVIEW).
- Gopalan UK Doyil TV, Udaya Varma P, Krishnankutty M. 1983. The shrinking estuary of Kerala. *J Mar Biol Ass India* 25: 131-141.

- Grasshoff K, Ehrhardt M, Kremling K, editors. 1999. Methods of Sea water analysis, 3<sup>rd</sup> edition, VCH publishers, Weinheim, Germany.
- Gupta GVM, Sarma VVSS, Robin RS, Raman AV, Jai Kumar M, Rakesh M, Subramanian BR. 2008. Influence of net ecosystem metabolism in transferring riverine organic carbon to atmospheric CO<sub>2</sub> in a tropical coastal lagoon (Chilka Lake, India). *Biogeochemistry* doi:10.1007/s10533-008-9183-x.
- IPCC. 2001. Climate change 2001: the scientific basis, Houghton JT et al. editors. Cambridge University Press, Cambridge, UK, p94.
- Jyothibabu R, Madhu NV, Jayalakshmi KV, Balachandran KK, Shiyas CA, Martin GD, Nair KKC. 2006. Impact of freshwater influx on microzooplankton mediated food web in a tropical estuary (Cochin backwaters – India). *Estuar Coast Shelf Sci* 69: 505-518.
- Kirchman DL, Dittel AI, Findlay SEG, Fischer D. 2004. Changes in bacterial activity and community structure in response to dissolved organic matter in the Hudson River, New York. *Aquat Microb Ecol* 35: 243-257.
- Madhu NV, Jyothibabau R, Balachandran KK, Honey UK, Martin GD, Vijay JG, Shiyas CA, Gupta GVM, Achuthankutty CT. 2007. Monsoonal impact on planktonic standing stock and abundance in a tropical estuary (Cochin backwaters – India). *Estuar Coast Shelf Sci* 73: 54-64.
- Meybeck M, Cauwet G, Dessery S, Somville M, Gouleau D, Billen G. 1988. Nutrients (organic C, P, N, Si) in the eutrophic river Loire and its estuary. *Estuar Coast Shelf Sci* 27: 595–624.
- Miranda J, Balachandran KK, Ramesh R, Wafar M. 2008. Nitrification in Kochi backwaters. *Estuar Coast Shelf Sci* doi:10.1016/j.ecss.2007.12.004.
- Mukhopadhyay SK, Biswas H, De TK, Sen S, Jana TK. 2002. Seasonal effects on the air-water carbon dioxide exchange in the Hooghly estuary, NE coast of Bay of Bengal, India. *J Environ Monit* 4: 549–552.
- Mukhopadhyay SK, Biswas H, De TK, Jana, TK. 2006. Fluxes of nutrients from the tropical river Hooghly at the land-ocean boundary of Sundarbans, NE coast of Bay of Bengal, India. *J Mar Sys* 62: 9-21.
- Naqvi SWA, Jayakumar DA, Narvekar PV, Naik H, Sarma VVSS, D'Souza SN, Joseph S, George MD. 2000. Increased marine production of N<sub>2</sub>O due to intensifying anoxia on the Indian continental shelf. *Nature* 408: 346-349.
- Parsons TR, Maita Y, Lalli CM, Eds. 1984. A manual of chemical and biological methods for sea water Analysis. Pergamon Press, New York, p01-103.
- Pelletier GJ, Lewis E, Wallace D. 2007. CO<sub>2</sub> SYS.XLS: a calculator for the CO<sub>2</sub> system in seawater for Microsoft Excel/VBA. Washington State Department of Ecology, Olympia, Washington. <http://www.ecy.wa.gov/programs/eap/models.html>.
- Pradeep Ram AS, Nair S, Chandramohan D. 2007. Bacterial growth efficiency in a tropical estuary: Seasonal variability subsidized by allochthonous carbon. *Microb Ecol* 53: 591-599.



- Qasim SZ, Shaus SW, Bhattathiri PMA, Abidi SAH. 1969. Organic production in a tropical estuary. *Proc Indian Acad Sci LXIX*: 5194.
- Qasim SZ. 2003. Cochin Estuary and Vembanad Lake. Qasim SZ, Ed. *Indian estuaries*. ISBN:81-7764-369-X. Allied Publishers Pvt. Ltd., Mumbai.
- Raymond PA, Bauer JE, Cole JJ. 2000. Atmospheric CO<sub>2</sub> evasion, dissolved inorganic carbon production, and net heterotrophy in the York River estuary. *Limnol Oceanogr* 45(8): 1707-1717.
- Sarin MM, Sudheer AK, Balakrishna K. 2002. Significance of riverine transport: A case study of a large tropical river, Godavari (India). *Science in china (Series C)* 45: 97-108.
- Sarma VVSS, Kumar MD, George MD. 1998. The central and eastern Arabian Sea as a perennial source for atmospheric carbon dioxide. *Tellus B* 50:179-184.
- Sarma VVSS, Kumar MD, Manerikar M. 2001. Emission of carbon dioxide from a tropical estuarine system, Goa, India. *Geophys Res Lett* 28: 1239-1242.
- Sarma VVSS, Swathi PS, Dileep Kumar M, Prasanna Kumar S, Bhattathiri PMA, Mdhupratap M, Ramaswamy V, Sarin MM, Gauns M, Ramaiah N, Sardessai S, DeSousa SN. 2003. Carbon budget in the eastern and central Arabian Sea: An Indian JGOFS synthesis. *Global Biogeochem Cycles* 17(4): 13.1-13.13.
- Smith SV, Hollibaugh JT. 1993. Coastal metabolism and the oceanic organic carbon balance, *Rev Geophys* 31(1): 75-89.
- Spitzky A, Leenheer J. 1991. Dissolved organic carbon in rivers, In: Degens ET, Kempe S, Richey JE, Eds. *Biogeochemistry of Major World Rivers*. John Wiley, New York. pp 5-125.
- Srinivas K, Revichandran C, Maheswaran PA, Mohammed Ashraf TT, Nuncio M. 2003a. Propagation of tides in the Cochin estuarine system, southwest coast of India. *Ind J Mar Sci* 32: 14-24.
- Srinivas K, Revichandran C, Thottam TJ, Maheswaran PA, Mohammed Ashraf TT, Nuncio M. 2003b. Currents in the Cochin estuarine system (southwest coast of India) during March 2000. *Ind J Mar Sci* 32: 123-132.
- Taylor GT, Way J, Scranton MI. 2003. Planktonic carbon cycling and transport in surface waters of the highly urbanized Hudson River estuary. *Limnol Oceanogr* 48(5): 1779-1795.
- Thomson KT. 2002. Economic and social issues of biodiversity loss in Cochin backwaters. Technical Report, Cochin University of Science and Technology, Cochin, India. pp 51-82.
- Thottathil SD, Balachandran KK, Jayalakshmi KV, Gupta GVM, Nair S. 2008a. Tidal switch on metabolic activity: Salinity induced responses on bacterioplankton metabolic capabilities in a tropical estuary. *Estuar Coast Shelf Sci* 78: 665-673.

Thottathil SD, Balachandran KK, Gupta GVM, Madhu NV, Nair S. 2008b. Influence of allochthonous input on autotrophic-heterotrophic switch-over in a shallow waters of a tropical ecosystem (Cochin estuary), India. *Estuar Coast Shelf Sci* 78: 551-562.

UNESCO. 1994. Protocols for the Joint Global Ocean Flux Study, Manuals and Guides vol. 29, p. 190.

Verma A, Subramanian, V, Ramesh, R. 2002. Methane emissions from a coastal lagoon: Vembanad Lake, West Coast, India. *Chemosphere* 47: 883-889.

Vijayan M, Ramani KN, Unnithan RV. 1976. Effects of organic pollution on some hydrographic features of Cochin backwaters. *Ind J Mar Sci* 5: 196-200.

Wanninkhof R. 1992. Relationship between wind speed and gas exchange over the ocean. *J Geophys Res* 97: 7373-7382.

Weiss RF, Price BA. 1980. Nitrous oxide solubility in water and seawater. *Mar Chem* 8: 347-359.

Table 1. Average (standard deviation) concentrations and ratios of various parameters in different seasons.

	Premonsoon			Early Monsoon			Monsoon		
	North	South	Total	North	South	Total	North	South	Total
Temperature (°C)	30.9 (1.4)	31.4 (0.8)	31.2 (1.1)	32.7 (0.6)	33.3 (0.8)	33.1 (0.8)	28.7 (1.4)	30.1 (0.7)	29.5 (1.3)
Salinity	19.2 (7.6)	16.2 (4.8)	17.5 (6.3)	14.7 (9.4)	14.7 (5.0)	14.7 (7.2)	1.27 (1.93)	0.69 (1.65)	0.95 (1.79)
pH	7.506 (0.419)	7.380 (0.565)	7.436 (0.505)	7.280 (0.429)	7.184 (0.622)	7.226 (0.543)	6.657 (0.443)	6.606 (0.368)	6.629 (0.400)
SPM (mg l <sup>-1</sup> )	36.5 (8.7)	26.8 (10.9)	31.1 (11.0)	27.0 (18.5)	27.9 (18.0)	27.5 (18.1)	17.7 (8.9)	16.4 (8.6)	17.0 (8.7)
O <sub>2</sub> (%)	97.5 (16.1)	104 (23.0)	101 (20.3)	71.6 (23.4)	99.1 (25.2)	87.1 (27.9)	82.9 (8.5)	87.2 (11.3)	85.3 (10.3)
DIN (μM)	33.9 (38.9)	13.4 (7.2)	22.5 (28.2)	40.6 (27.6)	19.0 (10.9)	28.4 (22.5)	40.9 (12.5)	20.4 (14.1)	29.5 (16.8)
DIP (μM)	1.73 (0.77)	1.25 (1.39)	1.46 (1.17)	2.61 (1.17)	1.40 (1.07)	1.93 (1.26)	2.55 (1.09)	1.79 (1.05)	2.13 (1.12)

	Premonsoon			Early Monsoon			Monsoon		
	North	South	Total	North	South	Total	North	South	Total
DSi ( $\mu\text{M}$ )	54.1 (26.1)	75.2 (19.2)	65.8 (24.7)	54.5 (21.3)	27.1 (15.1)	39.1 (22.5)	88.1 (48.6)	84.3 (31.0)	86.0 (39.5)
TA ( $\mu\text{mol kg}^{-1}$ )	1268 (480)	828 (430)	1024 (500)	1202 (563)	722 (537)	931 (594)	326 (181)	213 (127)	263 (162)
DIC ( $\mu\text{mol kg}^{-1}$ )	1212 (405)	797 (350)	983 (427)	1192 (461)	713 (481)	931 (526)	413 (144)	281 (112)	340 (142)
DOC ( $\mu\text{mol kg}^{-1}$ )	342 (91)	338 (128)	340 (108)	242 (71)	300 (83)	275 (83)	158 (113)	222 (84)	193 (102)
POC ( $\mu\text{mol kg}^{-1}$ )	119 (33)	111 (69)	115 (56)	144 (51)	146 (130)	145 (102)	65 (34)	101 (78)	85 (64)
pCO <sub>2</sub> ( $\mu\text{atm}$ )	1228 (880)	1291 (1270)	1263 (1104)	2043 (1165)	1427 (1211)	1696 (1220)	2853 (1460)	2323 (1002)	2560 (1245)
CO <sub>2</sub> flux ( $\text{mmolC m}^{-2} \text{d}^{-1}$ )	65 (70)	64 (86)	65 (80)	139 (93)	109 (124)	121 (112)	258 (109)	274 (148)	267 (131)
O <sub>2</sub> flux ( $\text{mmol O}_2 \text{m}^{-2} \text{d}^{-1}$ )	-9.0 (95)	38 (150)	17 (129)	-163 (146)	13 (179)	-64 (186)	-140 (68)	-118 (99)	-128 (87)
Chl <i>a</i> ( $\mu\text{g l}^{-1}$ )	6.45 (6.92)	6.01 (5.29)	6.20 (6.02)	16.7 (8.7)	15.5 (10.9)	16.1 (9.9)	6.08 (4.03)	4.53 (3.58)	5.20 (3.83)

	Premonsoon			Early Monsoon			Monsoon		
	North	South	Total	North	South	Total	North	South	Total
Net Primary Production (NPP) (mgC m <sup>-3</sup> d <sup>-1</sup> )	72 (39)	120 (42)	104 (45)	101 (48)	113 (68)	109 (59)	50 (43)	14 (5)	27 (30)
Gross Primary Production (GPP) (mgC m <sup>-3</sup> d <sup>-1</sup> )	101 (34)	170 (76)	145 (72)	115 (68)	174 (74)	153 (66)	128 (81)	68 (31)	90 (58)
Community Respiration (R) (mgC m <sup>-3</sup> d <sup>-1</sup> )	104 (27)	193 (102)	160 (92)	188 (55)	230 (68)	215 (52)	154 (66)	224 (166)	198 (138)
Bacterial Respiration (BR) (mgC m <sup>-3</sup> d <sup>-1</sup> )	70 (36)	134 (96)	110 (83)	173 (43)	169 (40)	171 (39)	76 (49)	167 (154)	134 (131)
GPP/R	1.12 (0.72)	1.09 (0.65)	1.10 (0.66)	0.64 (0.24)	0.76 (0.31)	0.72 (0.28)	0.62 (0.26)	0.39 (0.25)	0.47 (0.23)

Table 2. Comparison of water quality with respect to inorganic and organic carbon concentrations in rivers entering the Cochin estuary with other Indian rivers.

System	DIC ( $\mu\text{mol kg}^{-1}$ )	DOC ( $\mu\text{mol kg}^{-1}$ )	POC ( $\mu\text{mol kg}^{-1}$ )	pCO <sub>2</sub> ( $\mu\text{atm}$ )	Reference
Rivers entering Cochin estuary	162-332	64-121	35-55	2975-6001	Present study
Mandovi-Zuari rivers	~ 500	--	--	1500-2250	Sarma and others 2001
Godavari river	>2000	100 -300	80-100	433 $\pm$ 77	Sarin and others 2002; Bouillon and others 2003
Ganges and Brahmaputra rivers	--	260 -380	--	--	Spitzzy and Leenheer 1991
Hooghly river	1900-2500	--	--	--	Mukhopadhyay and others 2006
Rivers entering Chilka Lake	400 -2900	650 -2800	77-448	3912-14640	Gupta and others 2008

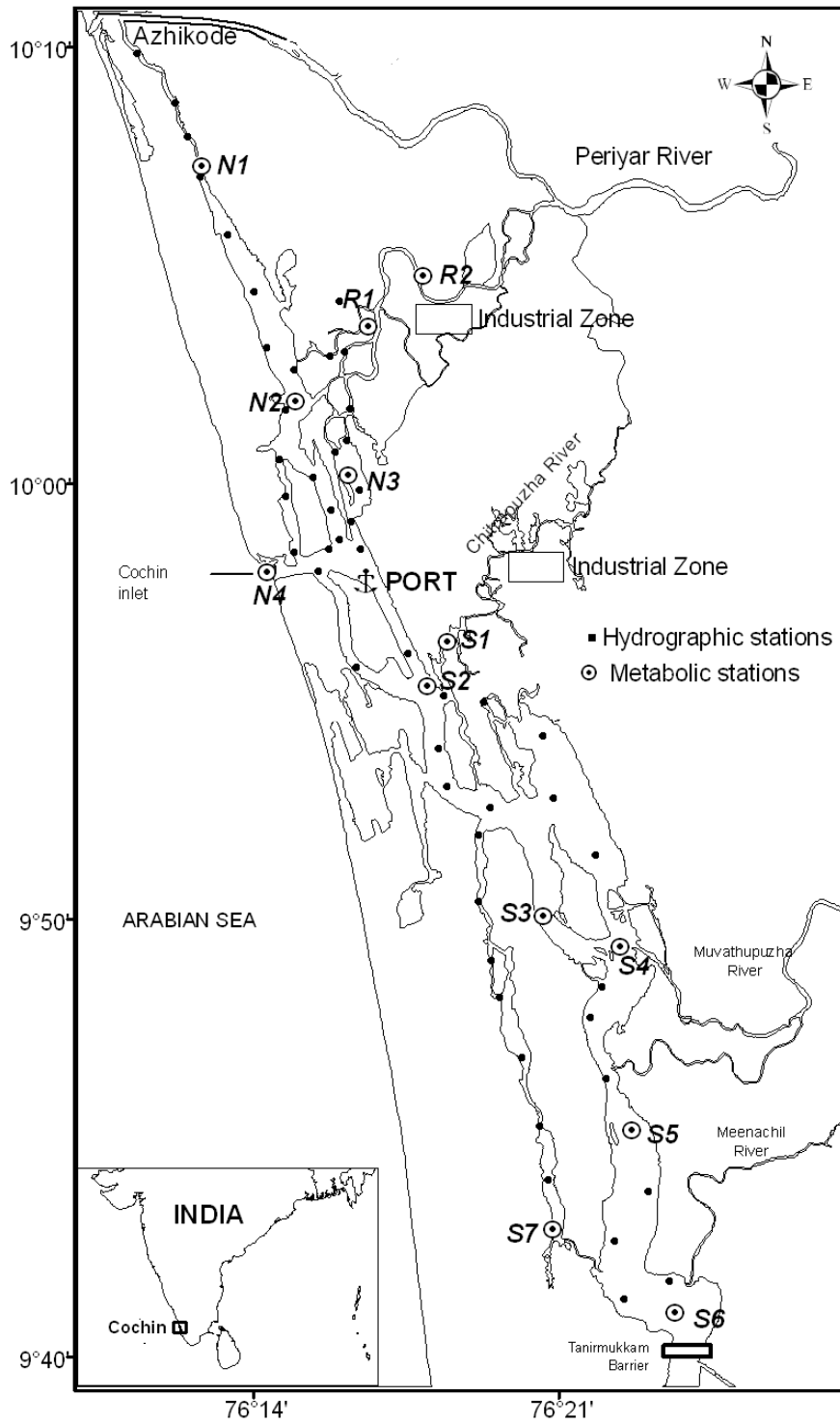


Figure 1. Map of the Cochin estuary with station locations.

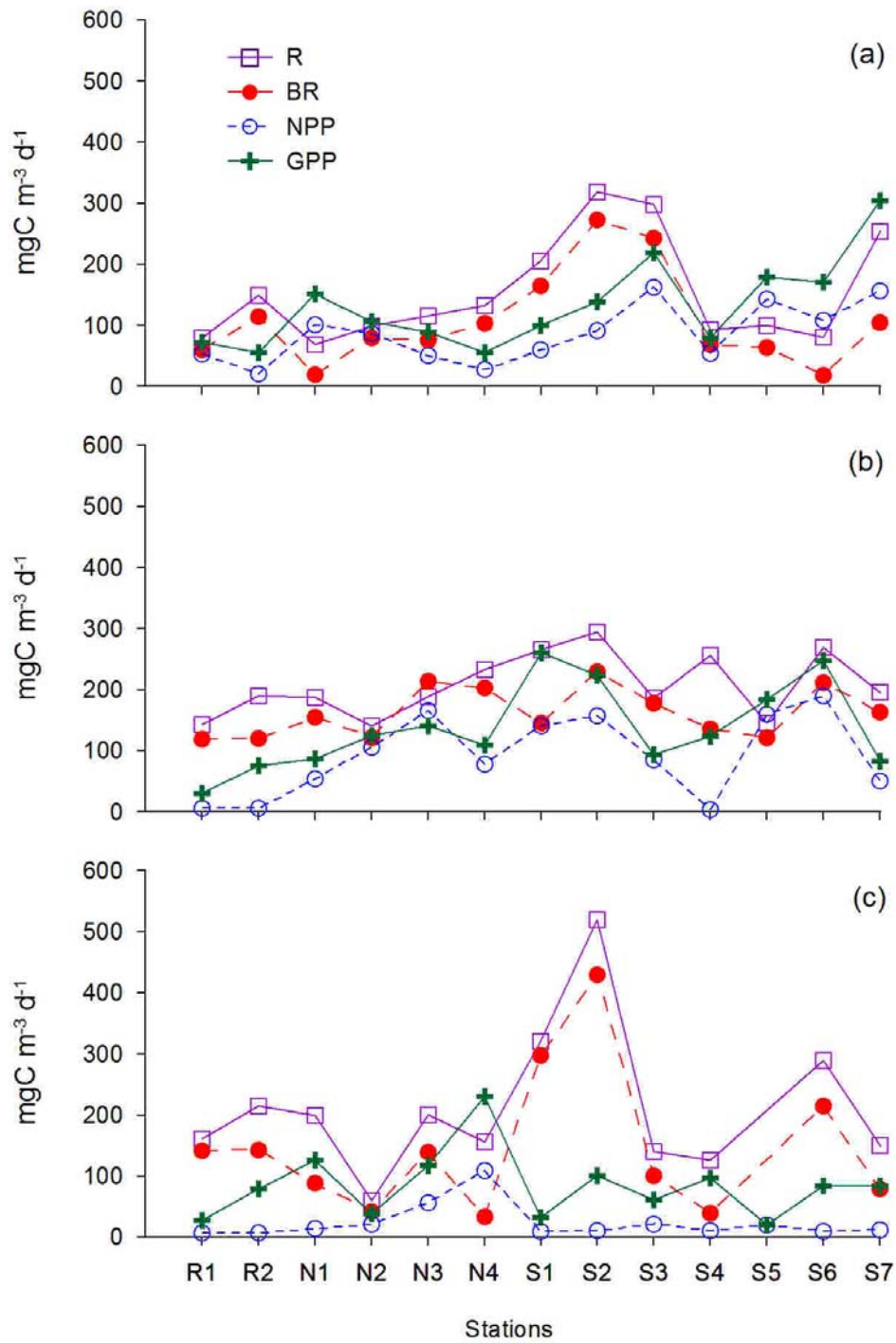


Figure 2. Metabolic rates during (a) premonsoon, (b) early monsoon, and (c) monsoon.



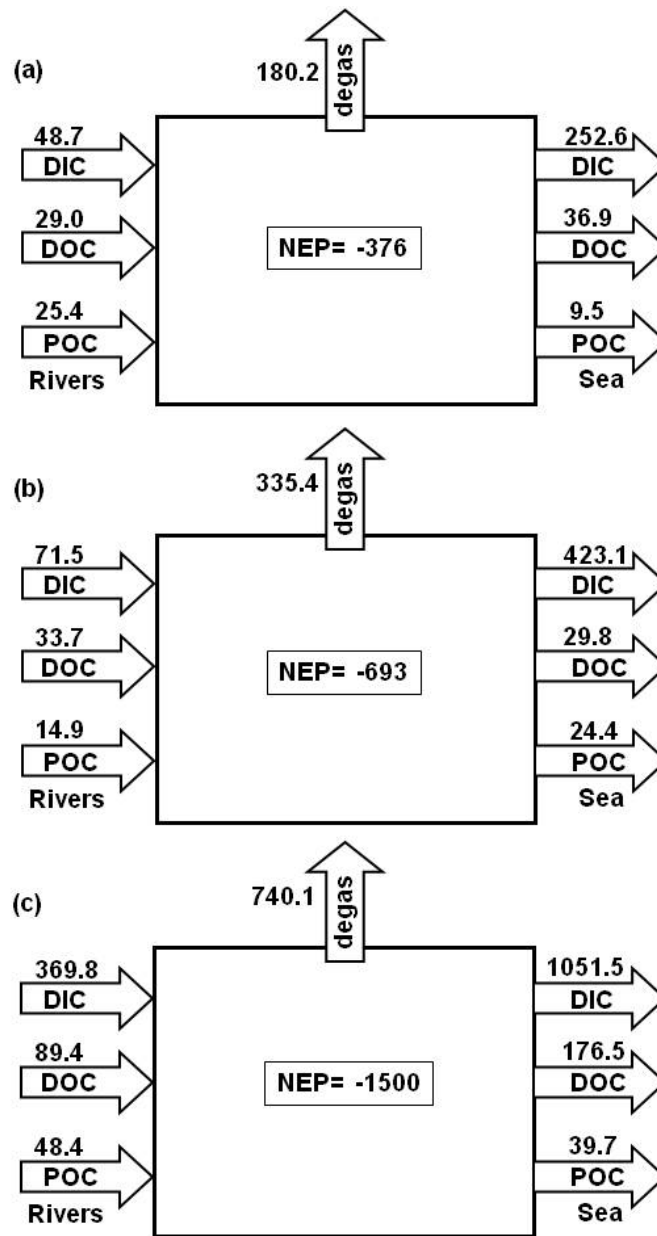


Figure 3. Total carbon budgets (MgC d<sup>-1</sup>) during (a) premonsoon, (b) early monsoon, and (c) monsoon.

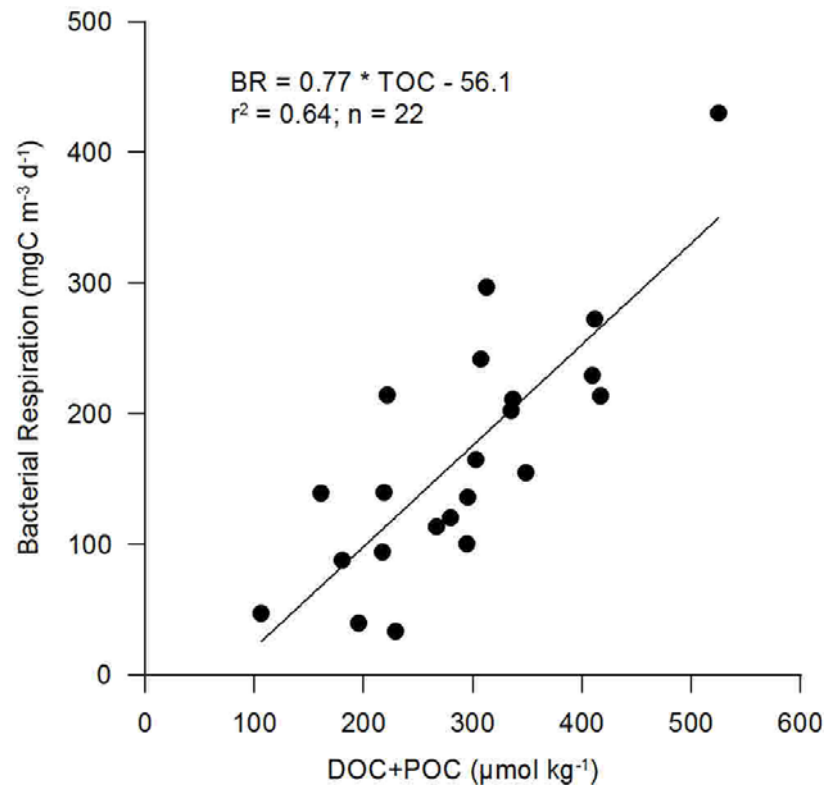


Figure 4. Relationship between total organic carbon and bacterial respiration in the entire study.

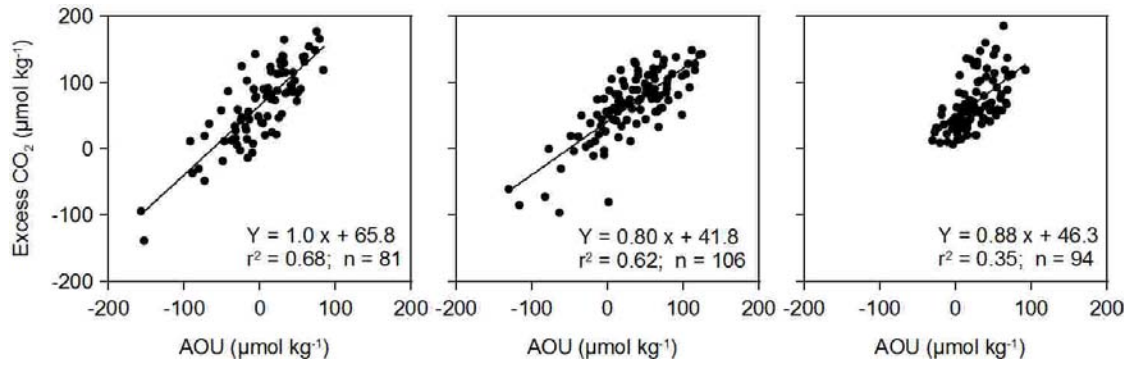


Figure 5. Seasonality in excess CO<sub>2</sub> along apparent oxygen utilization gradient.

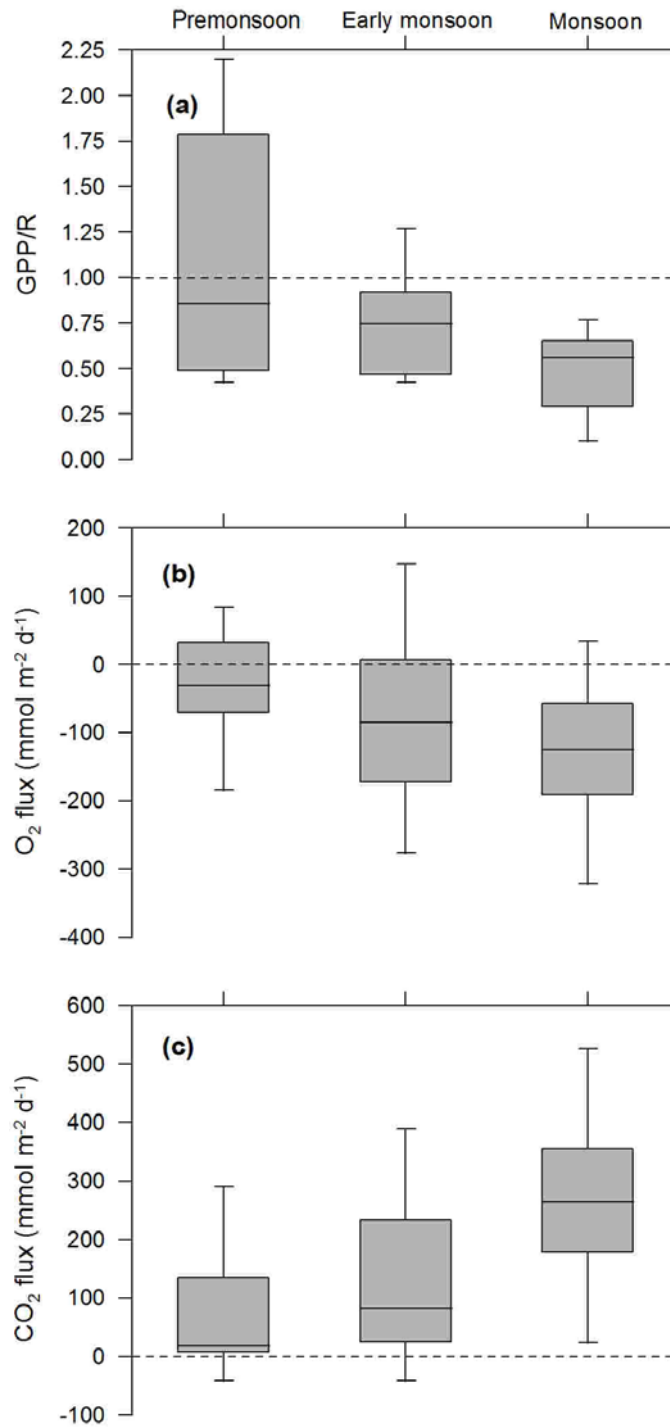


Figure 6. Seasonality in GPP/R ratios and fluxes of O<sub>2</sub> and CO<sub>2</sub>. Dotted line in each panel represents GPP=R conditions. The trend of CO<sub>2</sub> flux mirror the GPP/R ratio and O<sub>2</sub> flux reflecting rise in heterotrophic intensity with change in season.